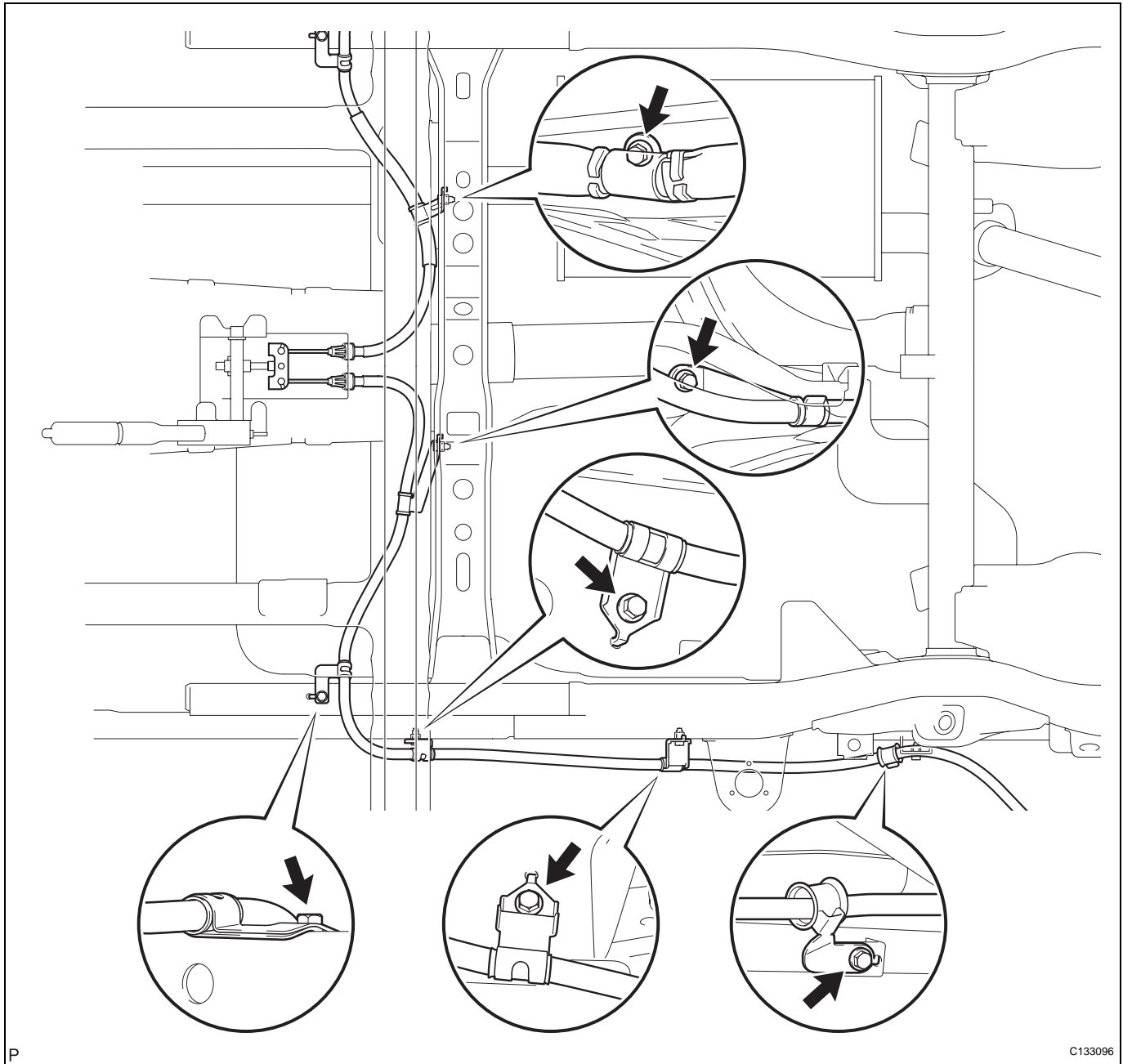
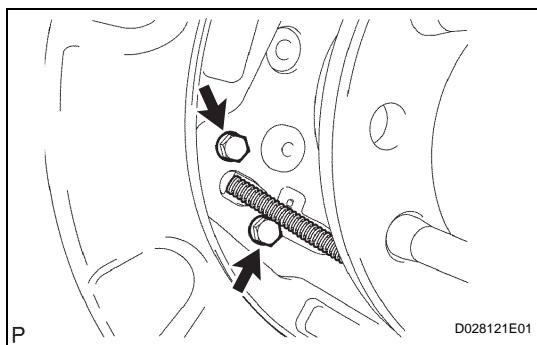


## INSTALLATION

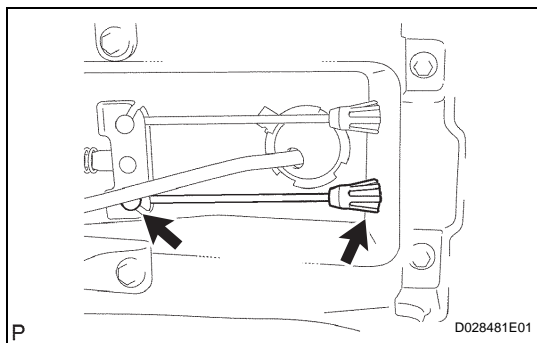
- 1. INSTALL PARKING BRAKE CABLE CLAMP**
  - (a) Install the parking brake cable clamp onto the parking brake cable.
- 2. INSTALL PARKING BRAKE CABLE**
  - (a) Install the parking brake cable with the 5 bolts.  
**Torque: 13 N\*m (127 kgf\*cm, 9 ft.\*lbf)**



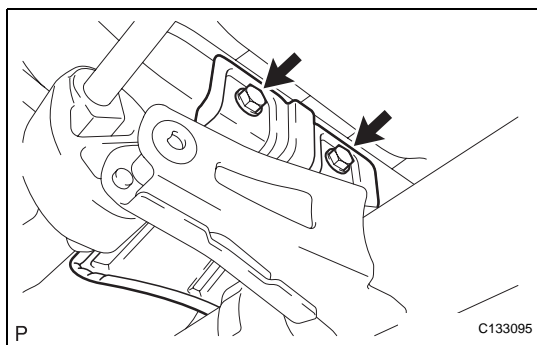


- (b) Install the parking brake cable to the parking brake plate with the 2 bolts.

**Torque: 8.0 N\*m (82 kgf\*cm, 71 in.\*lbf)**



- (c) Install the spring cap into the body.  
 (d) Connect the cable end to the parking brake pull rod.



### 3. INSTALL PARKING BRAKE CABLE HEAT INSULATOR (for RH Side)

- (a) Install the heat insulator with the 2 bolts.

**Torque: 13 N\*m (127 kgf\*cm, 9 ft.\*lbf)**

4. APPLY HIGH TEMPERATURE GREASE (See page [PB-19](#))
5. INSTALL PARKING BRAKE SHOE (See page [PB-19](#))
6. INSTALL PARKING BRAKE SHOE STRUT (See page [PB-19](#))
7. INSTALL PARKING BRAKE SHOE RETURN TENSION SPRING (See page [PB-19](#))
8. CHECK PARKING BRAKE INSTALLATION (See page [PB-20](#))
9. INSTALL REAR DISC (See page [PB-20](#))
10. ADJUST PARKING BRAKE SHOE CLEARANCE (See page [PB-20](#))
11. INSTALL REAR DISC BRAKE CALIPER ASSEMBLY (See page [PB-20](#))
12. INSTALL REAR WHEEL  
**Torque: 112 N\*m (1,137 kgf\*cm, 82 ft.\*lbf)**
13. INSPECT PARKING BRAKE LEVER TRAVEL (See page [PB-4](#))
14. ADJUST PARKING BRAKE LEVER TRAVEL (See page [PB-4](#))
15. INSTALL FRONT CONSOLE BOX (See page [IP-30](#))
16. INSTALL BOX BOTTOM MAT (See page [IP-31](#))

17. **INSTALL CONSOLE UPPER REAR PANEL SUB-ASSEMBLY (See page [IP-31](#))**
18. **INSTALL SHIFT LEVER KNOB SUB-ASSEMBLY (for 4WD) (See page [IP-32](#))**
19. **INSTALL SHIFT LEVER KNOB SUB-ASSEMBLY (for Manual Transmission) (See page [IP-32](#))**
20. **INSTALL PARKING BRAKE HOLE COVER SUB-ASSEMBLY (See page [IP-32](#))**